

KISTLER

measure. analyze. innovate.

Vehicle Dynamics & Durability

Standard Mounting
Units



Kistler – Your System Provider for Vehicle Testing

As a technology leader in the vehicle dynamics & durability testing market Kistler provides sophisticated system solutions for measuring the related forces, torques, motions/kinematics and accelerations.

This brochure shows a selection of the most important mounting units for use with Kistler measurement equipment in the field of vehicle dynamics and durability testing.

The mounting units shown on the following pages are examples of standard mounting units for cars. In addition to these we are able to provide standard mounting equipment for utility vehicles and also customized solutions if required.

Get Better. With Kistler.



Standard Mounting Units – Overview

		Chassis					Indoor	Wheel			Combinations		
		Side		Front		Rear		Car	SUV	Truck	RV-4	DCA	Opt. ¹⁾ / WPT
		Magnet	Suction	Magnet	Suction	Tow lug							
Optical/Microwave	Correvit® LFII	■	■	■	■	■		■					
	Correvit® L-350	■	■	■	■	■							
	Correvit® SFII	■	■	■	■	■		■			■	■	■
	Correvit® S-350	■	■	■	■	■		■	■	■	■	■	■
	Correvit® S-HR	■	■			■		■	■	■			
	HF	■	■			■		■	■	■		■	■
	DCA System							■	■	■	■		
	Microstar II	■	■										
Mechanical	WPT							■	■	■	■	■	■
	RV-4							■	■	■			
	MSW						■						
Wheel Force	RoaDyn® On-board transmission							■	■		■	■	■
	RoaDyn® Out-board transmission							■	■	■	■	■	■

■ Standard ■ on request

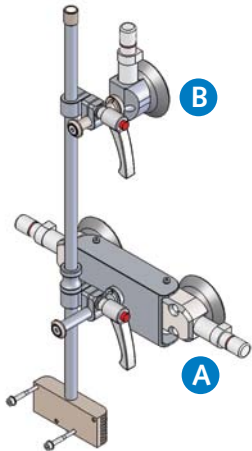
¹⁾ Optical Correvit Sensors: SFII, S-350, S-HR

Applications/combinations not mentioned in the above table on request.

RoaDyn® and Correvit® are registered trade marks of Kistler Holding AG

Car Body Mounting – Examples

3-Point Suction Holder for LFII-P, SFII-P and HF Sensors



Type KCD16049

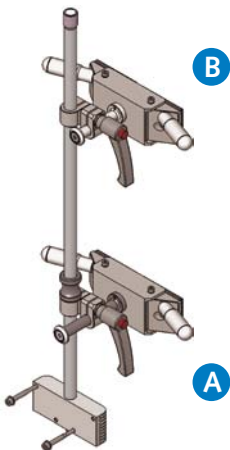
Mounting Example



Description

The 3-point suction holder Type KCD16049 for LF/SF and HF sensors consists of the suction holder unit including the mounting rod and sensor mounting plate (A), plus a stabilizing element (B). It is suited for side mounting on the car body. Together with the extension Type KCD15577 (see page 5) you can also use it for vehicle front mounting.

8-Point Magnetic Holder for LFII-P, SFII-P and HF Sensors



Type KCD14091

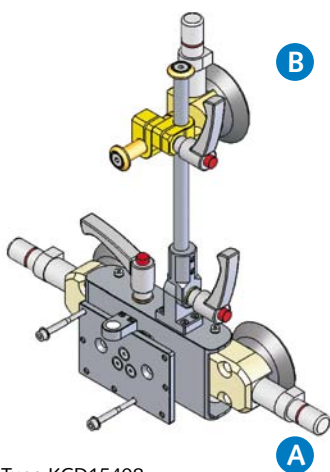
Mounting Example



Description

The 8-point magnetic holder Type KCD14091 for LF/SF and HF sensors consists of the magnetic holder unit including the mounting rod and sensor mounting plate (A), plus a stabilizing element (B). It is suited for side mounting on the metal car body. Together with the extension Type KCD15577 (see page 5) you can also use it for vehicle front mounting.

3-Point Suction Holder for L-350 Aqua, S-350 Aqua and HF Sensors



Type KCD15408

Mounting Example

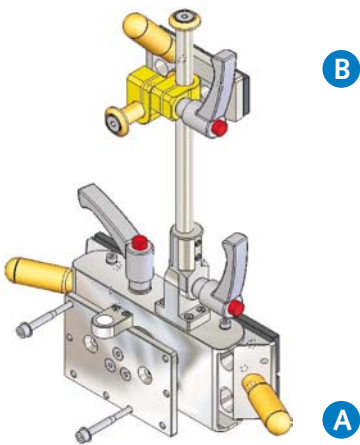


Description

The 3-point suction holder Type KCD15408 for L-350/S-350 and HF sensors consists of the suction holder unit including the mounting rod and sensor mounting plate (A), plus a stabilizing element (B). It is suited for side mounting on the car body. For easy adjustment of the sensor, the top of the mounting plate is fitted with a liquid level indicator. You can install the suction holder either horizontal or vertical. An optional sensor mounting extension (Type KCD16048) provides more flexibility regarding the mounting height. Together with the extension Type KCD15577 (see page 5) you can also use it for vehicle front mounting.

Car Body Mounting – Examples

6-Point Magnetic Holder for L-350 Aqua, S-350 Aqua and HF Sensors



Type KCD15213

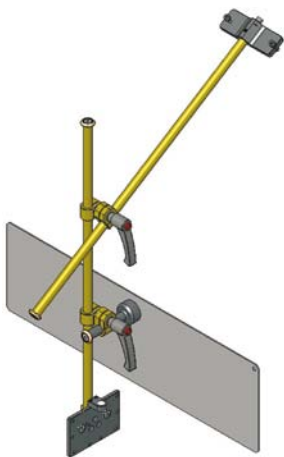
Mounting Example



Description

The 6-point magnetic holder Type KCD15213 for L-350/S-350 and HF sensors consists of the magnetic holder unit including the mounting rod and sensor mounting plate (A), plus a stabilizing element (B). It is suited for side mounting on the metal car body. For easy adjustment of the sensor, the top of the mounting plate is fitted with a liquid level indicator. You can install the magnetic holder either horizontal or vertical. An optional sensor mounting extension (Type KCD16048) provides more flexibility regarding the mounting height. Together with the extension Type KCD15577 (see below) you can also use it for vehicle front mounting.

Extension with Mounting Plates for Front Mounting LFII-P, SFII-P, L-350 Aqua and S-350 Aqua Sensors



Type KCD15577

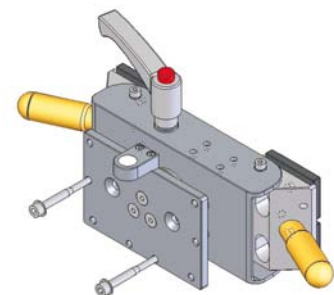
Mounting Example



Description

The extension with mounting plates Type KCD15577 can be used with suction holders Type KCD16049 or KCD15408 and magnetic holders Type KCD14091 or KCD15213 to enable sensor mounting on the front of the vehicle.

4-Point Magnetic Holder for HF Sensors



Type KCD15694

Mounting Example

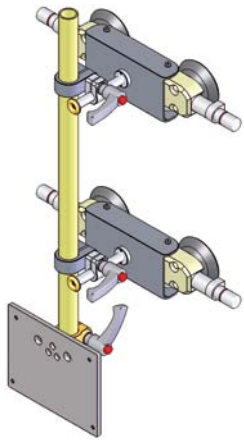


Description

The 4-point magnetic holder Type KCD15694 for HF sensors is designed for easy and quick mounting of HF laser height sensors on the metal car body. For easy adjustment of the sensor, the top of the mounting plate is fitted with a liquid level indicator. You can install the suction holder either horizontal or vertical.

Car Body Mounting – Examples

4-Point Suction Holder for S-HR Sensors



Type KCD17092

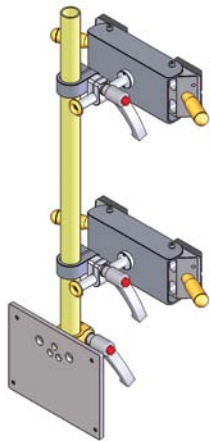
Mounting Example



Description

The 4-point suction holder Type KCD17092 for S-HR sensors consists of two suction holder units including the mounting rod and sensor mounting plate. It is suited for side mounting on the car body.

8-Point Magnetic Holder for S-HR Sensors



Type KCD17091

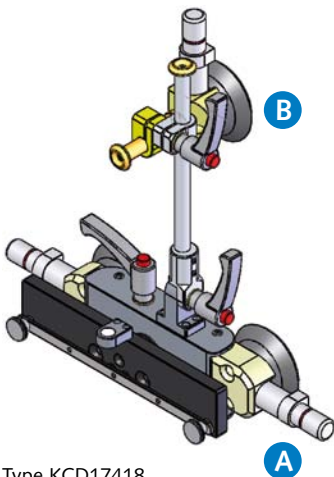
Mounting Example



Description

The 8-point magnetic holder Type KCD17091 for S-HR sensors consists of two magnetic holder units including the mounting rod and sensor mounting plate. It is suited for side mounting on the metal car body.

3-Point Suction Holder for Microstar II Sensors



Type KCD17418

Mounting Example



Description

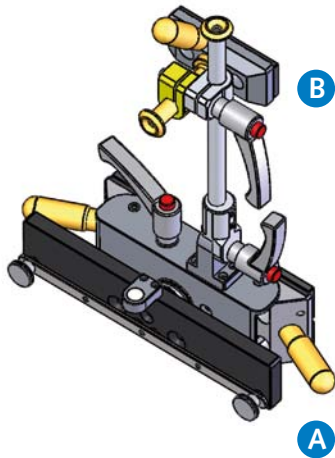
The 3-point suction holder Type KCD17418 for Microstar II sensors consists of the suction holder unit including the mounting rod and sensor mounting plate (A), plus a stabilizing element (B). It is suited for side mounting on the car body.

For easy adjustment of the sensor, the top of the mounting plate is fitted with a liquid level indicator.

You can install the suction holder either horizontal or vertical.

Car Body/Indoor Mounting – Examples

6-Point Magnetic Holder for Microstar II Sensors



Type KCD17417

Mounting Example



Description

The 6-point magnetic holder Type KCD17417 for Microstar II sensors consists of the magnetic holder unit including the mounting rod and sensor mounting plate (A), plus a stabilizing element (B). It is suited for side mounting on the metal car body. For easy adjustment of the sensor, the top of the mounting plate is fitted with a liquid level indicator. You can install the suction holder either horizontal or vertical.

Laptop Car Mounting for Standard Laptops



Type KCD14539

Mounting Example



Description

The laptop car mounting kit includes a base, a stand, a swivelling arm, and a table top that can securely hold all types of laptops that are not exceeding 370 mm width. The adjustable laptop position provides optimal viewing angle. A retaining element to lock the Laptop on the mounting ensures best possible safety. Rubber dampers absorb damaging shock and vibration helping to prevent them from transferring to your laptop. The laptop's power supply can be stored safely underneath the laptop. The laptop car mounting kit is also available with an additional trigger box (Type KCD14543).

For further information please refer to separate data sheet KCD14539_000-921e.

MSW Adapter Universal V3 for MSW Sensors



Type KCD16188

Type KCD15747

Mounting Example



Description

The MSW Adapter Universal V3 Type KCD16188 is designed to enable mounting of the Kistler steering wheel (MSW sensor) without use of custom-fabricated steering shaft adapters.

The universal adapter is simply clamped onto the steering wheel of the test vehicle, which is possible due to the compact dimensions of the Kistler MSW.

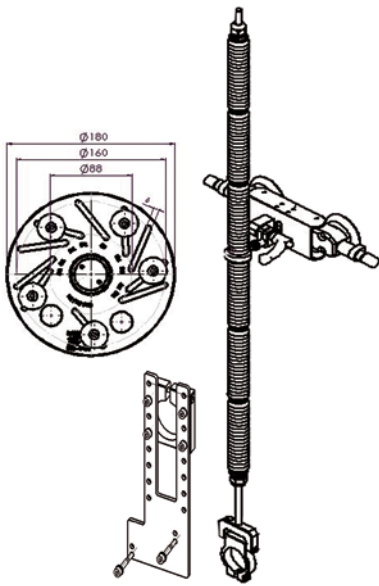
Customer-specific adapters can be provided on request.

As an option we also offer an additional 1-point mounting bracket (Type KCD15747) for fixing the stator.

For further information please refer to separate data sheet KCD16188_000-919e.

Wheel Mounting – Examples

Wheel Mounting Unit for Correvit® SFII and S-350 Sensors



Type KCD14178

Mounting Example



Description

The wheel mount system Type KCD14178 is designed to enable precision tire-slip measurement with Correvit S-Sensors (SFII, S-350, *). It consists of

- Torsion rod with protective boot
- Suction holder
- Torsion rod mounting clamp
- Mounting disk with mounting hub

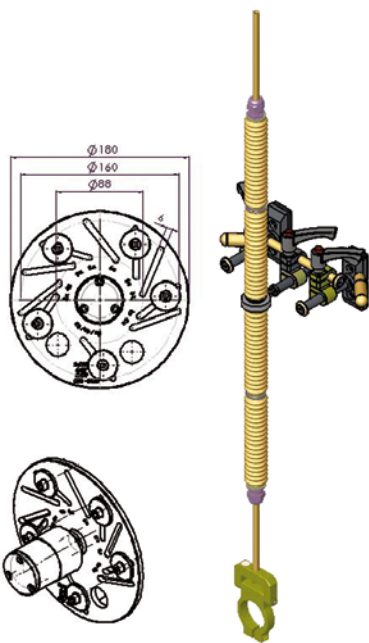
Optional Accessories

Mounting collets for various lug nut sizes. Standard dimensions are:

- 17 mm, Type KCD10070
- 19 mm, Type KCD10071
- 21 mm, Type KCD10072
- Further lug nuts on request
- Centering stars (1 each for 3-, 4- and 5-lug hubs)

* Wheel mount for SHR sensors on request

Wheel Mounting Unit for DCA System



Type KCD14582



Type on request

Mounting Example



Description

The DCA wheel mounting unit consists of a mounting disk (Type KCD14582), a sensor mounting bracket for mounting the HF sensors (Type KCD15237) and a torsion rod with suction holders (Type KCD15646) or magnet holders (Type on request) for fixing the DCA system on the car body.

For easy adjustment of the sensors, the top of the sensor mounting bracket is fitted with a liquid level indicator.

An optional mounting plate (Type KCD14623) enables to mount a SFII sensor for additional slip angle measurement.

Wheel Mounting – Examples

Suction Mount System for Wheel Vector Sensor RV-4

Mounting Example



Description

The RV-4 suction mount system is designed for safe, secure mounting on the vehicle hood and is proofed for all testing conditions. It consists of a stable mounting bar, suction cups with ball joints and aluminum clamps with locking levers. A ball joint on each suction cup element enables fast and accurate positioning of the suction mountings.

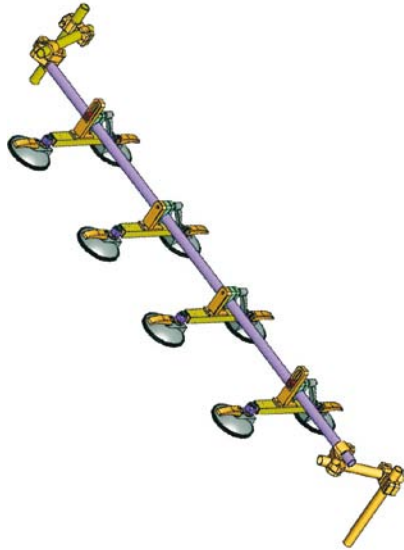
The RV-4 mounting system is available as 4-point suction mount for use with one RV-4 sensor (Type KCD14732) or as 8-point suction mount for use with two RV-4 sensors (Type KCD14731).

Special versions, e.g. for trucks, on request.

The required wheel mount unit is included in the RV-4 delivery scope (type KCD14582).

Other wheel mount units for use of the RV-4 sensor in combination with other sensors are available:

- Wheel mount S-350, Type KCD16336
- Wheel mount SFII-P, Type KCD14905
- Wheel mount WPT, Type KCD16550



Type KCD14731

WPT Mounting Hardware

Mounting Example



Description

The WPT mounting hardware Type KCD17165 is designed to mount Kistler wheel pulse transducers Type CWPTA... on the vehicle.

The wheel pulse transducer mounts to the wheel lug nuts via adjustable mounting collets. The torsional protection rod (which maintains rotation around the wheel axis) is affixed to the vehicle body with suction holders (standard) or magnetic holders (option).



Type KCD17165

Adaptions - Examples

RoaDyn® WFT + Wheel Mount for SFII and/or DCA System as well as S-HR Sensor



Spare Parts – Examples

Suction Holders



Type KCD10758 – Mini suction unit, complete



Type KCD10759 – Suction holder unit, complete

Clamps



Type KCD10745 – Mounting for towing lug



Type KCD10741 – Saddle clamp



Type KCD10748 – Strip with flange clamp



Type KCD10742 – Cross clamp



Type KCD10740 – Clamp



Type KCD10743 – Parallel clamp

Others



Type KCD10747 – Safety line



Type KCD10757 – Tube $\varnothing 25$, $l = 600$ mm, including end plug
Type KCD10756 – Tube $\varnothing 25$, $l = 500$ mm, including end plug
Type KCD10755 – Tube $\varnothing 25$, $l = 250$ mm, including end plug
Type KCD10754 – Tube $\varnothing 25$, $l = 150$ mm, including end plug

Kistler Worldwide

Europe

Austria

Kistler GmbH
1230 Wien
Tel. +43 1 867 48 67 0
sales.at@kistler.com

Czech Republic/Hungary/ Poland/Slovakia

Kistler, s.r.o.
140 00 Praha 4
Tel. +420 296 374 878
sales.cz@kistler.com

Denmark

Kistler Nordic DK
4681 Herfølge
Tel. +45 70 20 85 66
info.dk@kistler.com

Finland

Kistler Nordic AB
00210 Helsinki
Tel. +358 9 612 15 66
info.fi@kistler.com

France

Kistler France
91976 Les Ulis Cedex
Tel. +33 1 69 18 81 81
info.fr@kistler.com

Germany

Kistler Instrumente GmbH
73760 Ostfildern
Tel. +49 711 34 07 0
info.de@kistler.com

Italy

Kistler Italia s.r.l.
20149 Milano
Tel. +39 02 481 27 51
sales.it@kistler.com

LEANE International S R L
43100 Parma
Tel. +39 521 24 2495
leane@kistler.com

Netherlands

Kistler B.V. Nederland
2811 DT Reeuwijk
Tel. +31 182 304 444
sales.nl@kistler.com

Spain

Kistler Ibérica S.L, Unipersonal
08402 Granollers, Barcelona
Tel. +34 93 860 33 24
info.es@kistler.com

Sweden/Norway

Kistler Nordic AB
431 53 Mölndal
Tel. +46 31 871 566
info.se@kistler.com

Switzerland/Liechtenstein

Kistler Instrumente AG
8408 Winterthur
Tel. +41 52 224 12 32
sales.ch@kistler.com

United Kingdom

Kistler Instruments Ltd.
Hook, Hampshire RG27 9GR
Tel. +44 1256 74 15 50
sales.uk@kistler.com

Asia

China, People's Republic of

Kistler China Ltd.
Hong Kong
Tel. +852 25 915 930
sales.cn@kistler.com

India

Kistler Instruments (India) Pvt. Ltd.
Faridabad – 121 007, Haryana
Tel. +91 129 4113 555
sales.in@kistler.com

Automotive Test Systems
Delhi-110092
Tel. +91 11 656 87141
ats@kistler.com

Japan

Kistler Japan Co., Ltd.
Tokyo 108-0022
Tel. +81 3 3769 9501
sales.jp@kistler.com

Korea, Republic of

Kistler Korea Co., Ltd.
Anyang-City, Gyeonggi-Do 430-731
Tel. +82 31 465 6013
sales.kr@kistler.com

Singapore

Kistler Instruments (Pte) Ltd.
Singapore 573968
Tel. +65 6570 5377
sales.sg@kistler.com

Taiwan

Kistler Instrumente AG, Taiwan Branch
Taipei 114
Tel. +886 2 7721 2121
sales.tw@kistler.com

Thailand

Kistler Instrument (Thailand) Co., Ltd.
Bangkok 10120
Tel. +66 2678 6779-80
sales.thai@kistler.com

America

Brasil

Kistler Brasil Ltda
CEP 040 28-001, São Paulo-SP Brasil
Tel. +55 11 50520308
sales.br@kistler.com

Mexico

Kistler Instruments S de RL de CV.
Apodaca, NL. 66629
Tel. +52 81 4170 8075
sales.mx@kistler.com

USA/Canada

Kistler Instrument Corp.
Novi, MI 48377
Tel. +1 248 668 6900
sales.us@kistler.com

Australia

Australia

Kistler Instruments Australia Pty Ltd
Wheelers Hill, Victoria 3150
Tel. +61 3 9560 5055
sales.au@kistler.com

Other Countries

Kistler Instrumente AG
Export Sales
Eulachstrasse 22, 8408 Winterthur
Switzerland
Tel. +41 52 224 11 11
sales.export@kistler.com

Headquarters

Switzerland

Kistler Group
Eulachstrasse 22, 8408 Winterthur
Tel. +41 52 224 11 11
Fax +41 52 224 14 14
info@kistler.com

www.kistler.com

KISTLER

measure. analyze. innovate.